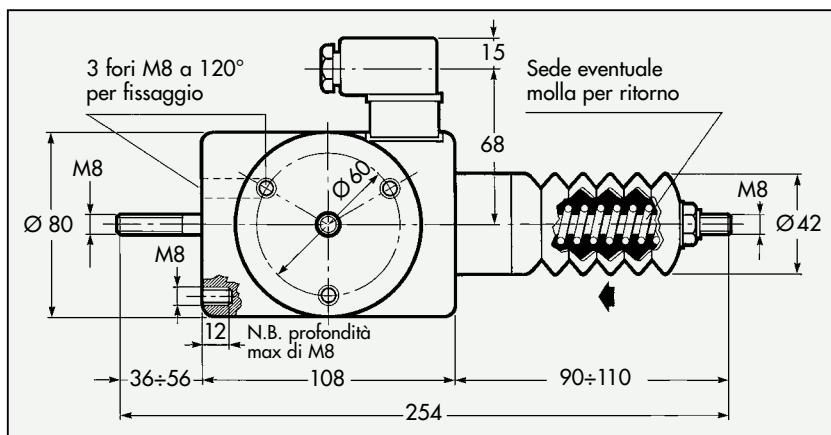


TIPO N

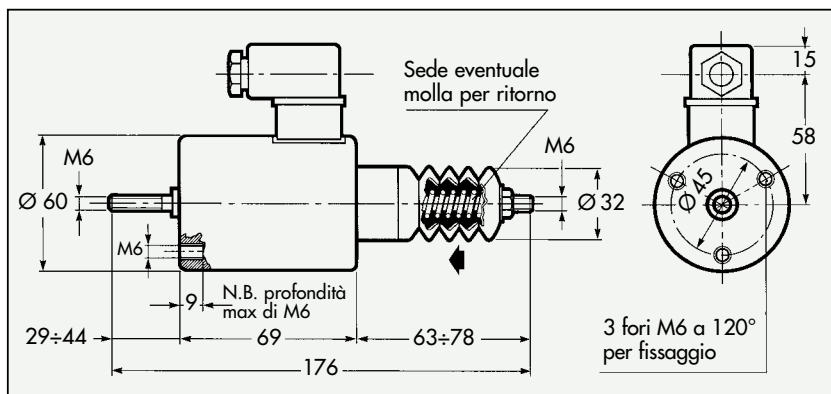
ELETTROMAGNETI MONOBOBINA PER TRAZIONE O SPINTA

IN CORRENTE CONTINUA A 12 Vcc - A 24 Vcc - CON VOLTAGGIO A RICHIESTA



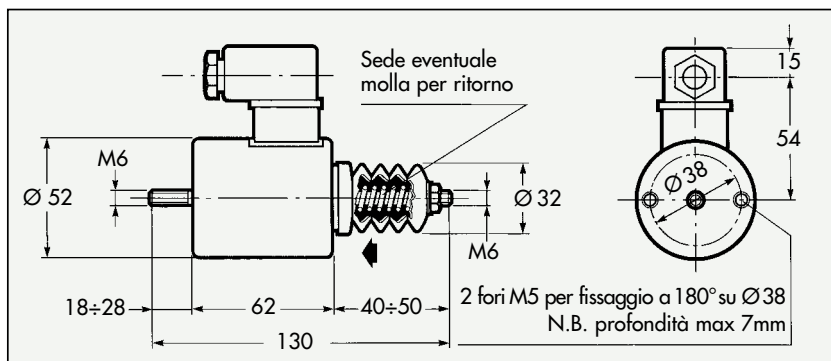
MODELLI N300

N311PW36(12Vcc) - N321PW36(24Vcc)



MODELLI N200

N211PW25(12Vcc) - N221PW25(24Vcc)

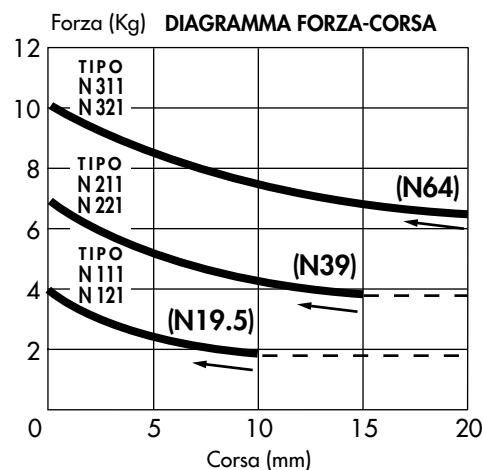


MODELLI N100

N111PW20(12Vcc) - N121PW20(24Vcc)

SPECIFICHE

TIPO	N300	N200	N100
Potenza a servizio continuativo	36 W	25 W	20 W
Corsa nucleo mobile	20 mm	15 mm	10 mm
Forza inizio corsa (senza molla)	6.5 Kg	4 Kg	2 Kg
Forza fine corsa (senza molla)	10 Kg	7 Kg	4 Kg
Peso	3.6 Kg	1.3 Kg	0.8 Kg
Classe di isolamento avvolgimenti	F (150° C)	F (150° C)	F (150° C)
Temperatura ambiente	-25° C ÷ 120° C	-25° C ÷ 120° C	-25° C ÷ 120° C
Molle interne opzionali	M1(0.0÷1.1 Kg)	M1(0.2÷1.0 Kg) M2(0.6÷2.0 Kg) M3(1.0÷3.0 Kg)	M1(0.3÷0.6 Kg)



1 Kg = 9.81 Newtons



COSTRUZIONI ELETTROMAGNETICHE INDUSTRIALI

CORSO PRIMO LEVI, 7 - 10090 CASCINE VICA - RIVOLI - TORINO (ITALY) - TEL. 0039 0119594446 - FAX. 0039 0119591357

e-mail: ceisrl@tin.it www.cei-italy.it

TYPE N

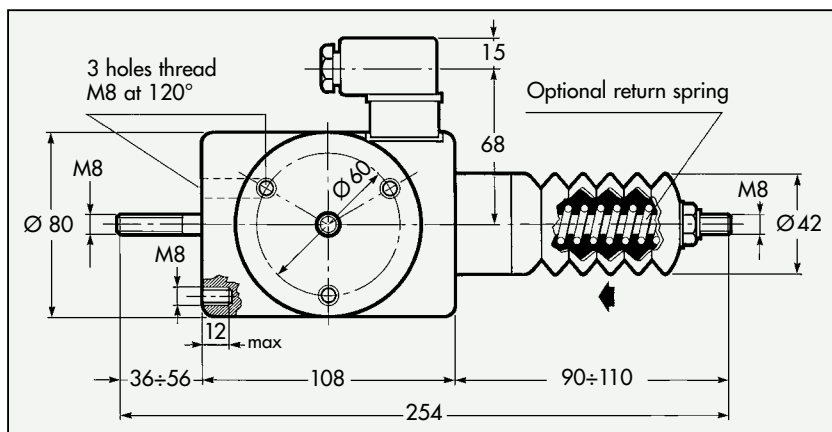
SINGLE COIL ELECTROMAGNETS FOR PULL OR PUSH ACTION

STANDARD VOLTAGE 12VDC - 24 VDC OR VOLTAGE ON REQUEST



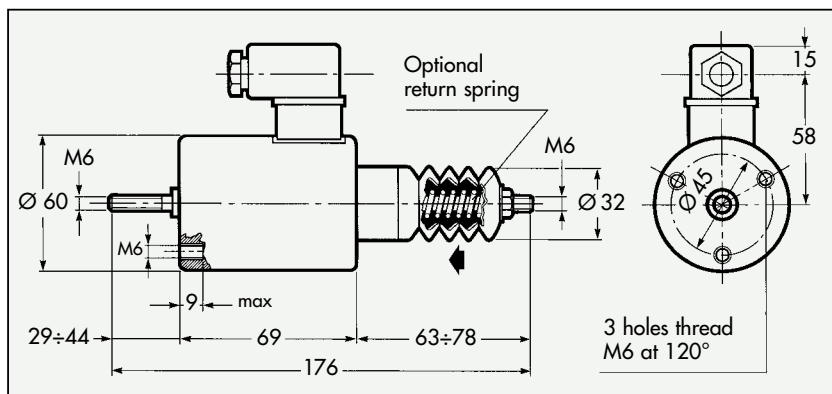
MODELS N300

N311PW36(12Vdc) - N321PW36(24Vdc)



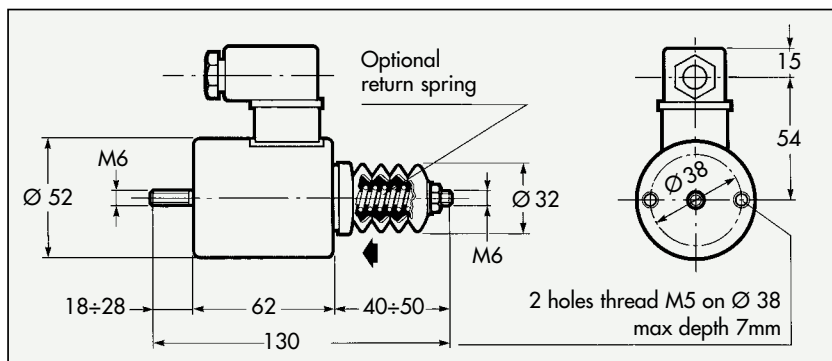
MODELS N200

N211PW25(12Vdc) - N221PW25(24Vdc)



MODELS N100

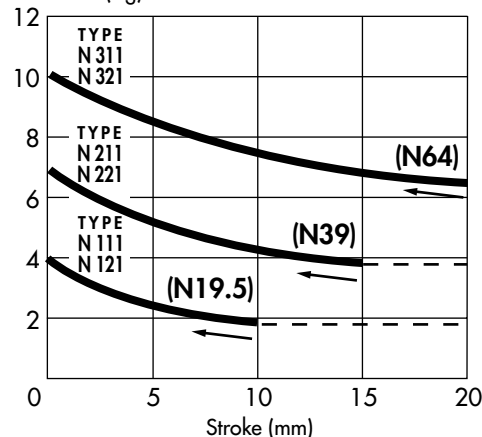
N111PW20(12Vdc) - N121PW20(24Vdc)



SPECIFICATIONS

TYPE	N300	N200	N100
Power (duty service 100%)	36 W	25 W	20 W
Stroke	20 mm	15 mm	10 mm
Force at starting (without spring)	6.5 Kg	4 Kg	2 Kg
Force at end of stroke (without spring)	10 Kg	7 Kg	4 Kg
Weight	3.6 Kg	1.3 Kg	0.8 Kg
Winding insulation class	F (150° C)	F (150° C)	F (150° C)
Ambient temperature	-25° C÷120° C	-25° C÷120° C	-25° C÷120° C
Optional internal springs	M1(0.0÷1.1 Kg)	M1(0.2÷1.0 Kg) M2(0.6÷2.0 Kg) M3(1.0÷3.0 Kg)	M1(0.3÷0.6 Kg)

Force (Kg) **DIAGRAM OF FORCES AND STROKES**



1 Kg = 9.81 Newtons



COSTRUZIONI ELETTROMAGNETICHE INDUSTRIALI

CORSO PRIMO LEVI, 7 - 10090 CASCINE VICA - RIVOLI - TORINO (ITALY) - TEL. 0039 0119594446 - FAX. 0039 0119591357

e-mail: ceisrl@tin.it www.cei-italy.it